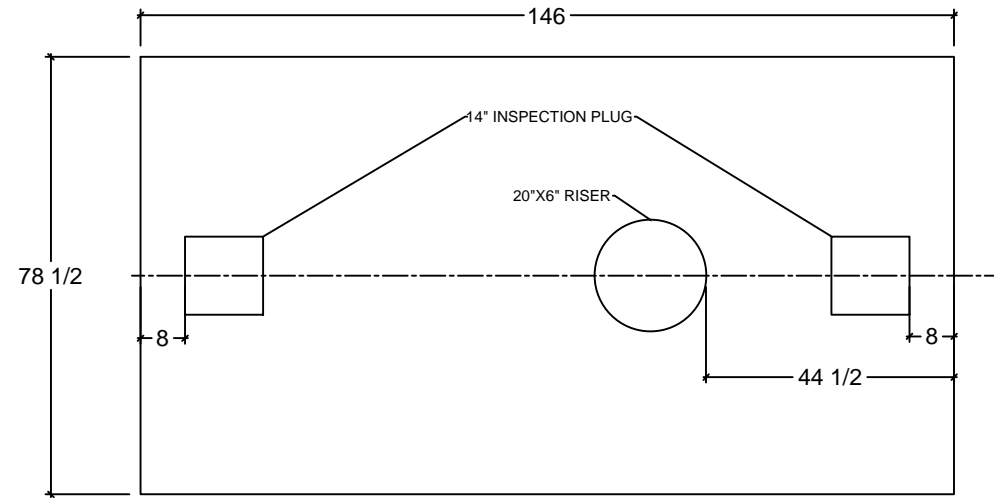
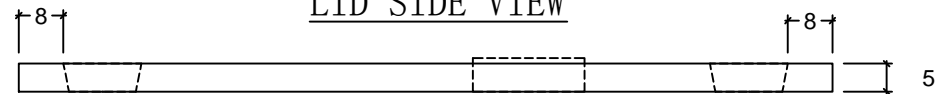


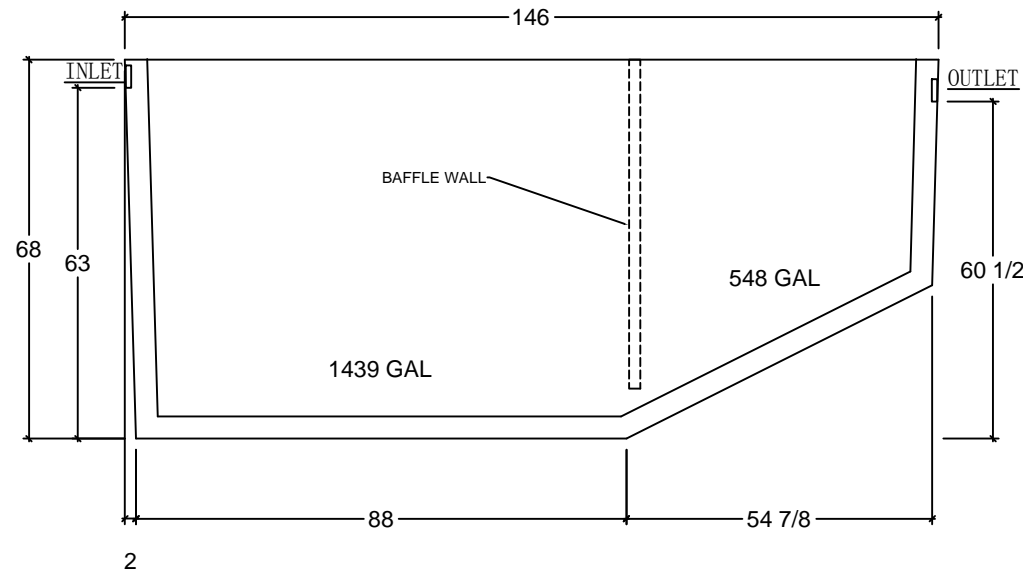
LID VIEW



LID SIDE VIEW



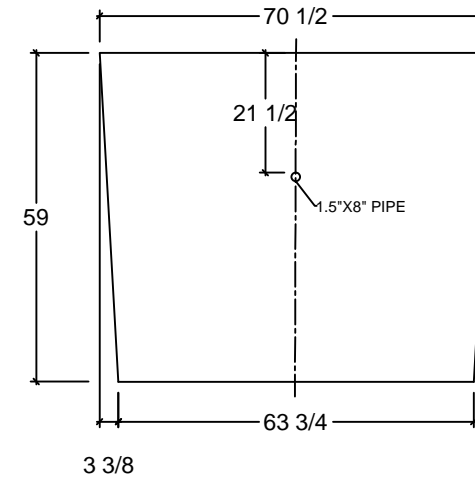
SIDE VIEW



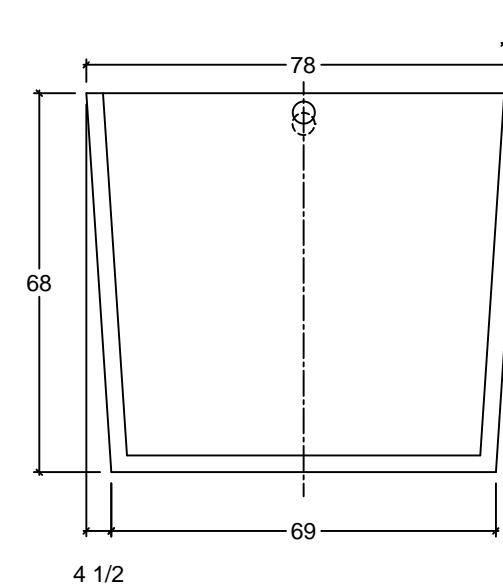
**NOTES:**

1. 28-DAY COMPRESSION STRENGTH = 5000 psi
2. ALL REINFORCING STEEL IS TO BE UNCOATED GRADE 60
3. MINIMUM #3 BAR LAP IS NOT TO BE LESS THAN 1'-6"
4. 5" LID TO BE REINFORCED WITH #4 REBAR

BAFFLE WALL DETAIL



END VIEW



PHONE:  
254.296.6115  
ADDRESS:  
901 N. HWY 77  
HILLSBORO, TX 76645

CXT, INC. HILLSBORO

AK I 500 AEROBIC

DRAWN BY: MR DATE: 9/7/18 CHECKED BY: CHECKED DATE:

| DWG. NO. | REV | DESCRIPTION | DATE |
|----------|-----|-------------|------|
|          |     |             |      |
| OF       |     |             |      |
|          |     |             |      |
| REV BY:  |     |             |      |