



CXT[®] flush restrooms are engineered and designed for long life in extreme conditions.

- Built to Look Great and Designed to Last
- Simple to Install and Ready to Use
- Easy to Maintain and Vandal Resistant
- Pre-Engineered
- Tougher Than Kits, Block or Steel



FLUSH RESTROOMS

UTILITIES

- Pre-wired, pre-plumbed and tested before shipping to meet local code requirements.
- Concealed within the chase/storage area for easy hook up and maintenance, and to reduce vandalism.

HOOK UP AND INSTALLATION

- Minimal site work is required.
- Water, sewage and electrical utility lines are stubbed up through the prepared base material to match up with the utility blockout within the floor of the chase area.
- Hookup of the three utility lines can be completed in a matter of hours.



- Meets UFAS, ADA and California Title 24 requirements
- Vandal resistant building and toilet components
- 4" thick steel reinforced concrete walls
- 5" thick steel reinforced concrete roof and floors
- Quick installation and hookup at the job site
- Will not rot, rust or burn
- Easily cleaned with a brush and warm soapy water
- Available in 28 different colors
- Custom textures and colors also available



Schedule
Contract GS-07F-0602N



www.cxtinc.com
800.696.5766

SINGLE USER FLUSH RESTROOMS

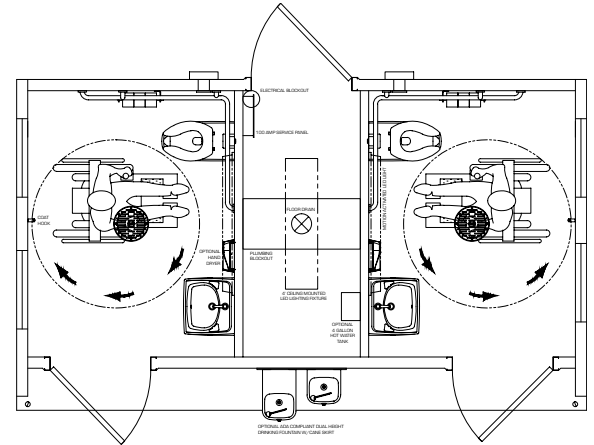
All drawings are typical floor plans with options shown and are for reference only.

Cortez

2 single user restrooms
2 ADA toilets | 2 sinks

Shown:

- » Mocha Caramel Barnwood walls and Cedar Shake roof
- » Optional drinking fountain with grab bars

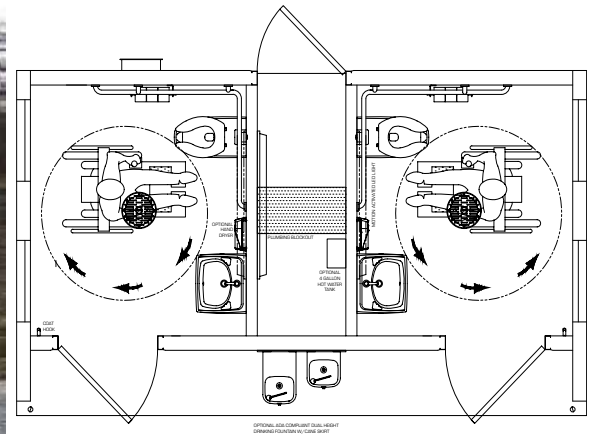


Denali

2 single user restrooms
2 ADA toilets | 2 sinks

Shown:

- » Toasted Almond Board & Batt upper walls
- » Mountain Blend Field Stone rock lower walls
- » Hunter Green Cedar Shake roof
- » Optional drinking fountain

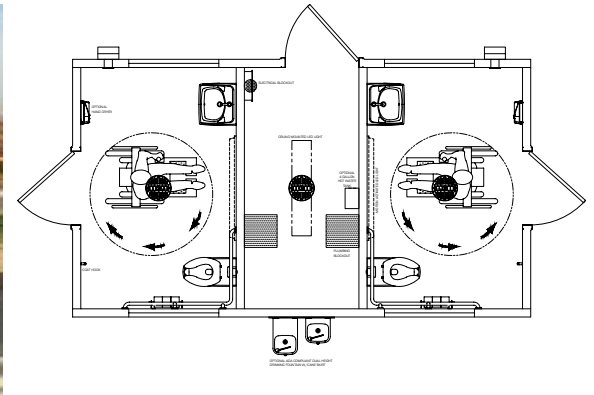


Ozark II

2 single user restrooms
2 ADA toilets | 2 sinks

Shown:

- » Western Wheat Horizontal Lap upper walls
- » Mountain Blend Napa Valley rock lower walls
- » Pueblo Gold Cedar Shake roof

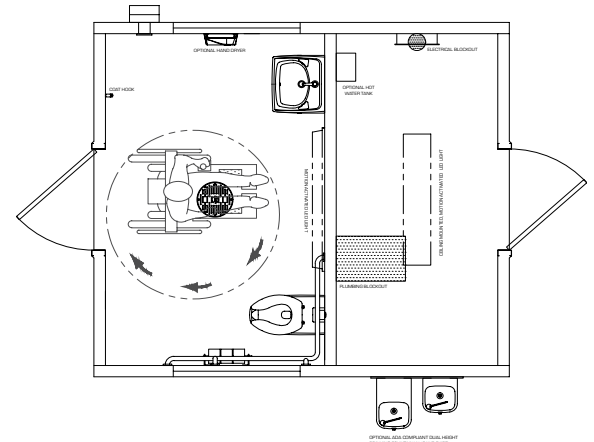


Ozark I

1 single user restroom
1 ADA toilet | 1 sink

Shown:

- » Granite Rock Split Face Block walls
- » Western Wheat Cedar Shake roof
- » Optional drinking fountain with grab bars



MULTI USER FLUSH RESTROOMS

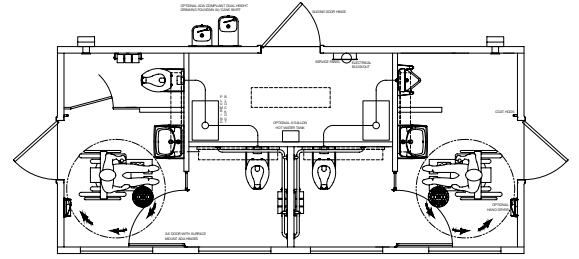
All drawings are typical floor plans with options shown and are for reference only.

Kodiak

- 2 multi-user restrooms
- 3 toilets (2 ADA) 1 urinal
- 2 sinks

Shown:

- » Sand Beige Barnwood walls
- » Georgia Brick Cedar Shake roof

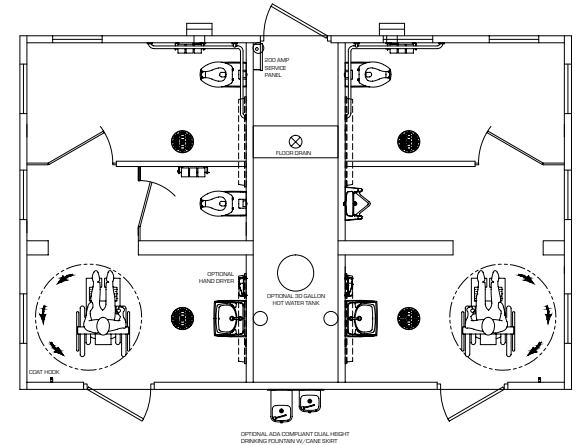


Montrose

- 2 multi-user restrooms
- 3 toilets (2 ADA) 1 urinal
- 2 sinks

Shown:

- » Natural Honey Horizontal Lap upper walls
- » Napa Valley Field Stone lower walls
- » Sand Beige Cedar Shake roof
- » Optional drinking fountain
- » Optional privacy screen

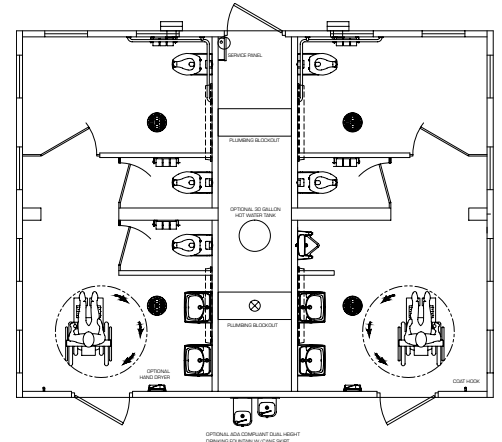


Taos

- 2 multi-user restrooms
- 5 toilets (2 ADA) 1 urinal
- 4 sinks

Shown:

- » Cocoa Milk Barnwood walls and Cedar Shake roof
- » Optional drinking fountain

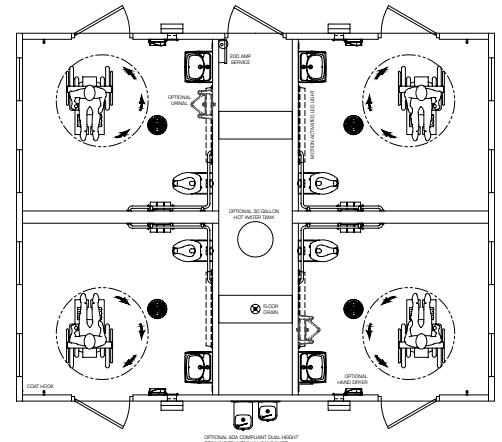


Arapahoe

- 4 family assist restrooms
- 4 ADA toilets | 4 sinks

Shown:

- » Golden Beige Barnwood walls
- » Cocoa Milk Cedar Shake roof



CUSTOM BUILDINGS

CXT can customize colors, textures and other options like privacy walls, porches, shade shelters, and awnings to match the aesthetics of your project.



**ENGINEERED TO
WITHSTAND SNOW, WIND,
WATER AND ZONE-4
SEISMIC LOADS**



www.cxtinc.com
800.696.5766

CXT Incorporated is a wholly owned subsidiary of
L.B. Foster Company. © 2018 CXT Incorporated

