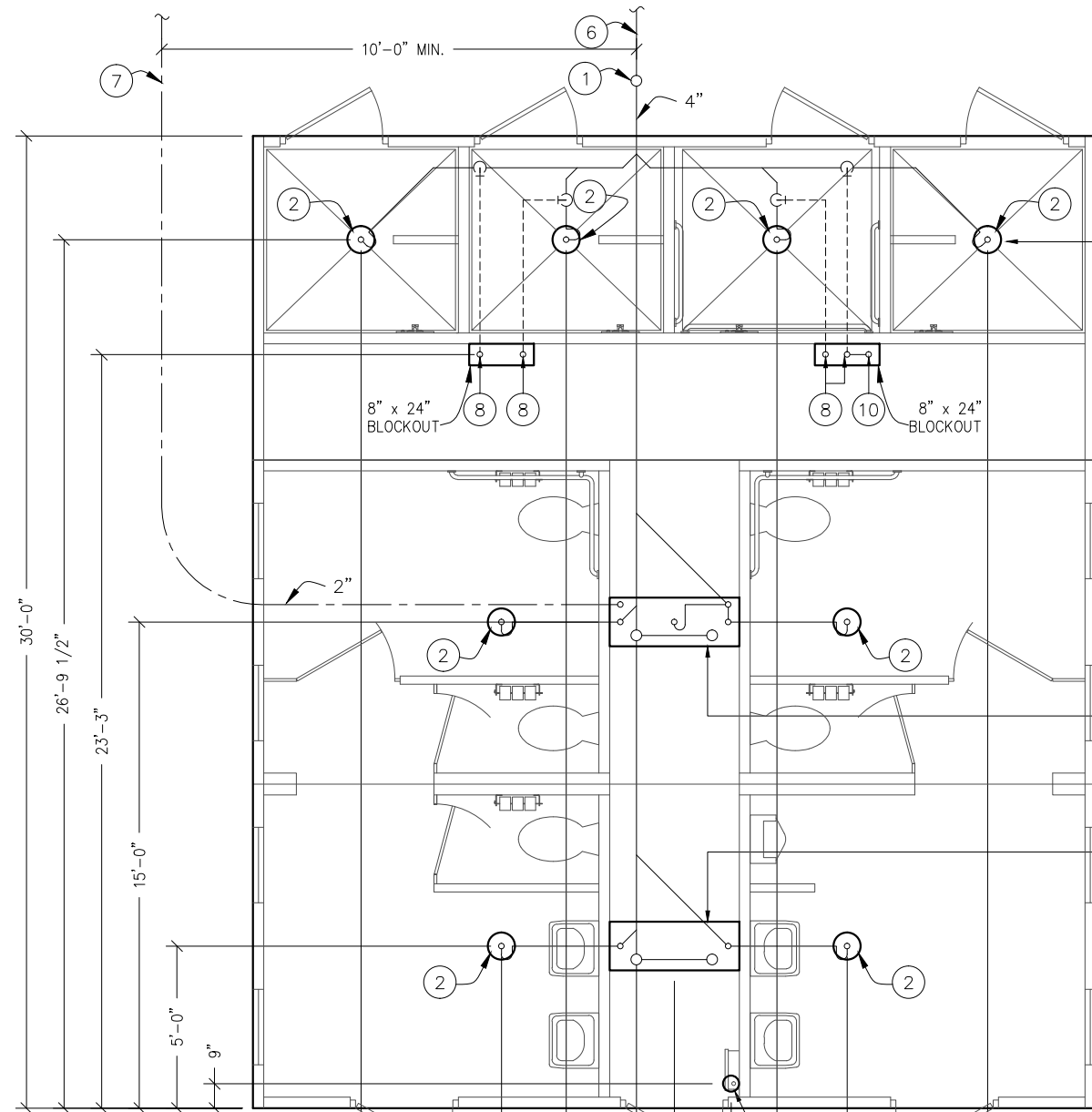


ALL PIPING INDICATED ON THIS SHEET IS NOT BY CXT

THIS DRAWING IS SUPPLIED FOR REFERENCE ONLY. PLEASE CONTACT CXT ENGINEERING DEPARTMENT FOR BUILDING SPECIFIC CONTROLLED DOCUMENTS PRIOR TO ANY FIELD WORK.

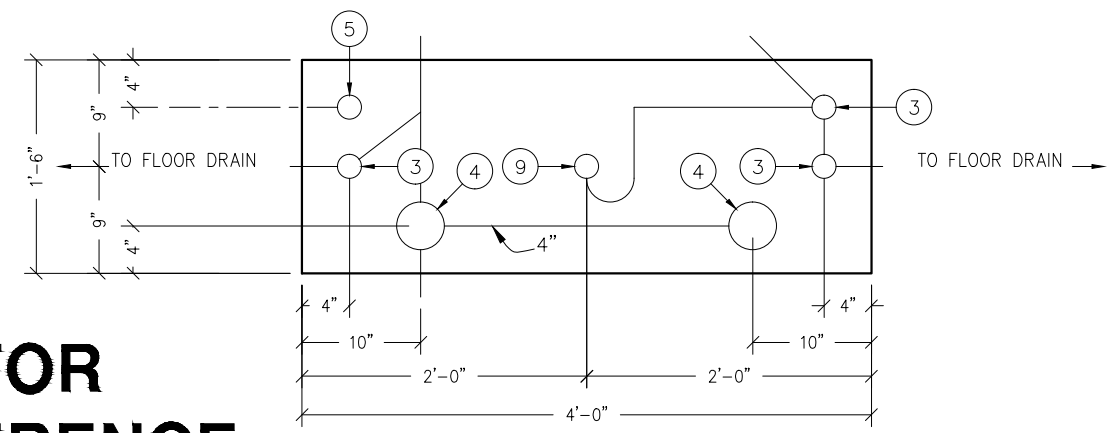


SEE FLOOR DRAIN DETAIL, TYP.

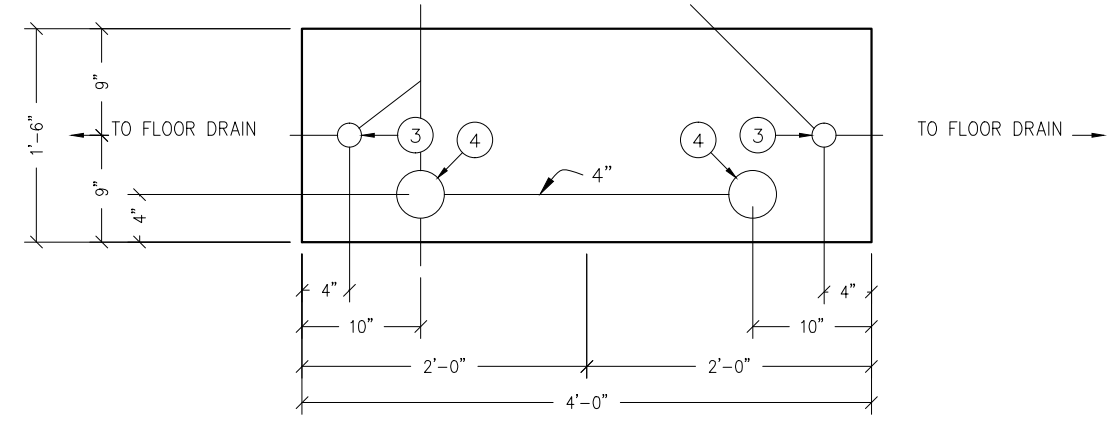
SEE 18" x 48" BLOCKOUT DETAIL "A"

SEE 18" x 48" BLOCKOUT DETAIL "B"

FOR REFERENCE ONLY



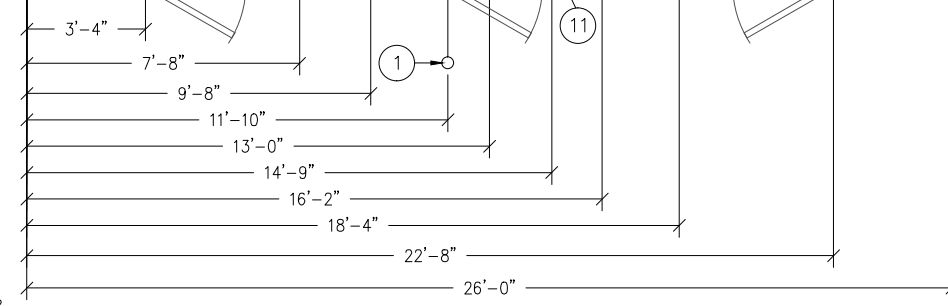
18" x 48" BLOCKOUT DETAIL "A"



18" x 48" BLOCKOUT DETAIL "B"

PIPING LEGEND

- BELOW FLOOR WASTE PIPING SCH 40 ABS TYPE DWV
- - - BELOW FLOOR VENT PIPING SCH 40 ABS TYPE DWV
- - - 2" TYPE "K" ANNEALED "SOFT" COPPER WATER SERVICE



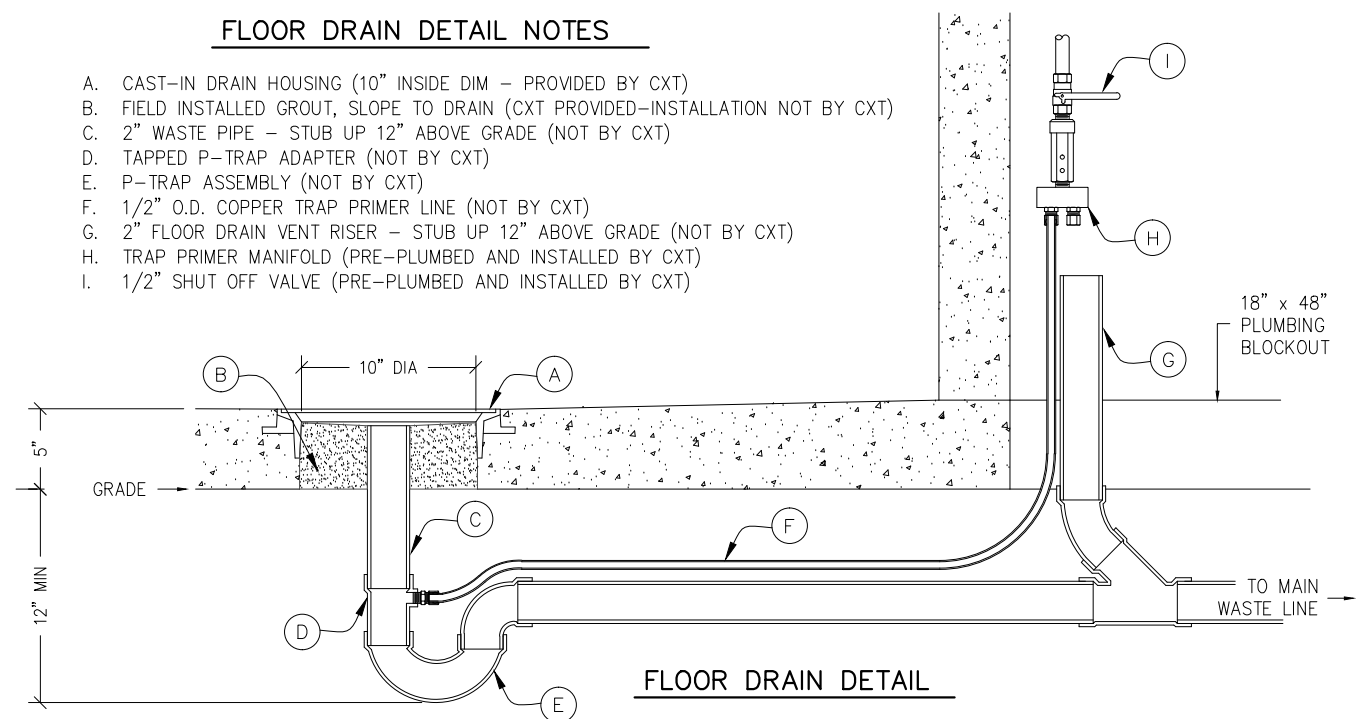
FLOOR DRAIN BLOCKOUTS & BELOW FLOOR PIPING

BELOW FLOOR PIPING — KEY NOTES

1. 4" CLEAN OUT TO GRADE.
2. 2" FLOOR DRAIN. FIELD INSTALLED TRAP PRIMER SYSTEM IF REQUIRED BY AUTHORITY HAVING JURISDICTION. (10" DIA BLOCKOUT)
3. 2" VENT PIPES EXTENDED 12" ABOVE FINISHED FLOOR LEVEL, PROVIDE TEST PLUGS. (18" x 48" BLOCKOUT)
4. 4" WASTE PIPE EXTENDED 12" ABOVE FINISHED FLOOR LEVEL, PROVIDE TEST PLUG. (18" x 48" BLOCKOUT)
5. 2" TYPE K ANNEALED "SOFT" COPPER WATER SERVICE EXTENDED 12" ABOVE FINISHED FLOOR LEVEL, PROVIDE CAP AT END. (18" x 48" BLOCKOUT)
6. 30" MIN. BURY, PROVIDE TRACER TAPE.
7. MIN. BURY PER LOCAL REQUIREMENTS TO PROTECT AGAINST FREEZING AND DAMAGE.
8. 2" VENT PIPES EXTENDED 12" ABOVE FINISHED FLOOR LEVEL, PROVIDE TEST PLUGS. (8" x 2'-0" BLOCKOUT)
9. 2" FLOOR DRAIN. FIELD INSTALLED TRAP PRIMER SYSTEM IF REQUIRED BY AUTHORITY HAVING JURISDICTION. (1'-6" x 4'-0" BLOCKOUT)
10. 2" WASTE PIPE EXTENDED 12" ABOVE FINISHED FLOOR LEVEL. (8" x 2'-0" BLOCKOUT)
11. ELECTRICAL STUB UP. (6" DIA BLOCKOUT)

FLOOR DRAIN DETAIL NOTES

- A. CAST-IN DRAIN HOUSING (10" INSIDE DIM — PROVIDED BY CXT)
- B. FIELD INSTALLED GROUT, SLOPE TO DRAIN (CXT PROVIDED—INSTALLATION NOT BY CXT)
- C. 2" WASTE PIPE — STUB UP 12" ABOVE GRADE (NOT BY CXT)
- D. TAPPED P-TRAP ADAPTER (NOT BY CXT)
- E. P-TRAP ASSEMBLY (NOT BY CXT)
- F. 1/2" O.D. COPPER TRAP PRIMER LINE (NOT BY CXT)
- G. 2" FLOOR DRAIN VENT RISER — STUB UP 12" ABOVE GRADE (NOT BY CXT)
- H. TRAP PRIMER MANIFOLD (PRE-PLUMBED AND INSTALLED BY CXT)
- I. 1/2" SHUT OFF VALVE (PRE-PLUMBED AND INSTALLED BY CXT)



FLOOR DRAIN DETAIL

3808 N. Sullivan Bldg. #7 Spokane, WA 99216

901 N. Highway 77 Hillsboro, TX 76645

PROJECT TITLE
CHEYENNE
CXT STANDARD BUILDING

NOTICE
The information contained herein is proprietary and the exclusive property of CXT Incorporated. The information may only be used by the original recipient for the purpose intended. Reproduction or distribution of this information is strictly prohibited without the prior written consent of CXT Incorporated. By allowing use of this information, CXT Incorporated grants no warranty, express or implied, including a warranty of merchantability or of fitness for a particular purpose.
CXT Incorporated

REV.	DESCRIPTION	APPROVAL	DATE
SCALE	3/16"=1'-0"	DATE	04-30-16
DRAWN	DANA B	FILE NO.	FOR REF
CHECKED	RDW	PLOT	64

FLOOR DRAIN LOCATIONS & BELOW FLOOR PIPING

DWG NO. CH-37 SHEET REV.