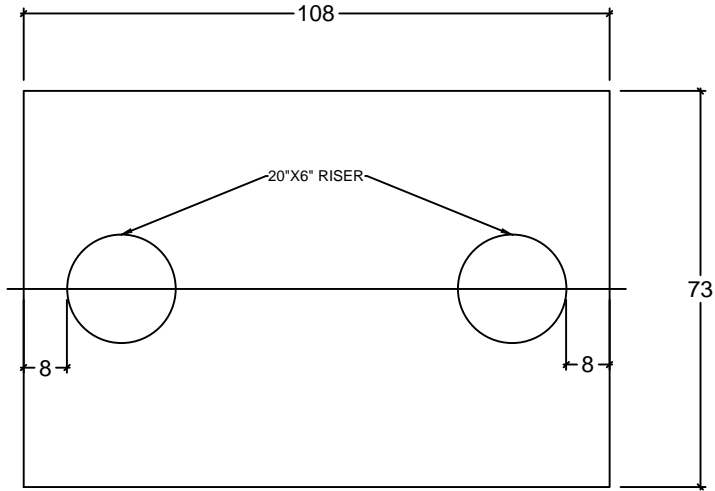
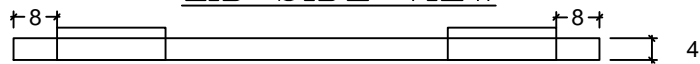


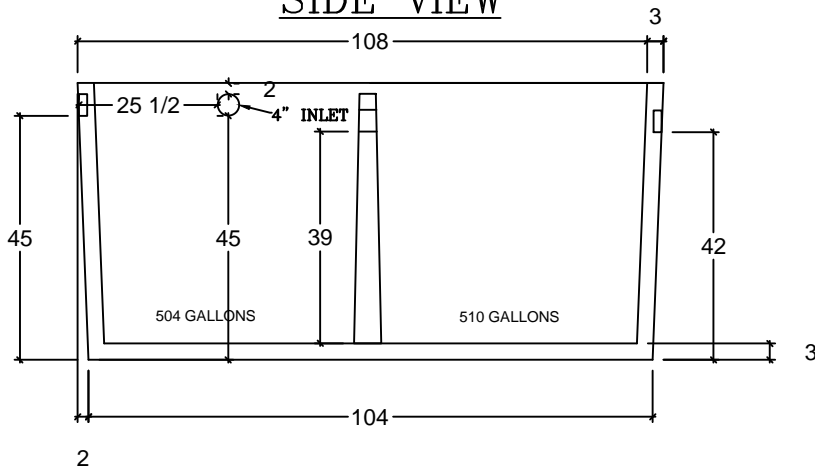
**LID VIEW**



**LID SIDE VIEW**



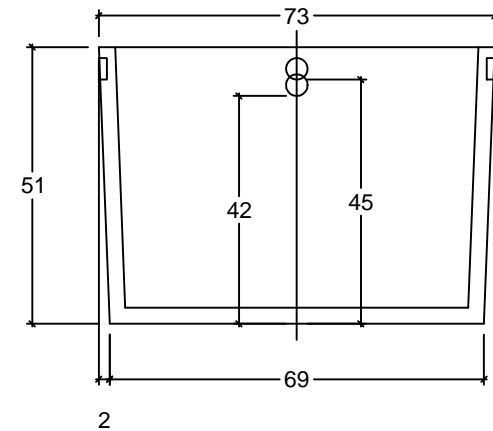
**SIDE VIEW**



**NOTES:**

1. 28-DAY COMPRESSION STRENGTH = 5000 psi
2. ALL REINFORCING STEEL IS TO BE UNCOATED GRADE 60
3. MINIMUM #3 BAR LAP IS NOT TO BE LESS THAN 1'-6"
4. 4" LID TO BE REINFORCED WITH #4 REBAR

**END VIEW**



PHONE:  
254.296.6115  
ADDRESS:  
901 N. HWY 77  
HILLSBORO, TX 76645

CXT, INC. HILLSBORO

1000-2CN LID B

DRAWN BY: MR DATE: 9/7/18 CHECKED BY: CHECKED DATE:

DWG. NO.	REV	DESCRIPTION	DATE
OF			
REV BY:	1	ADDED SIDE INLETS	4/11/19