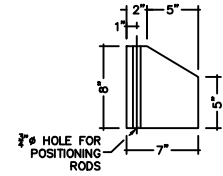
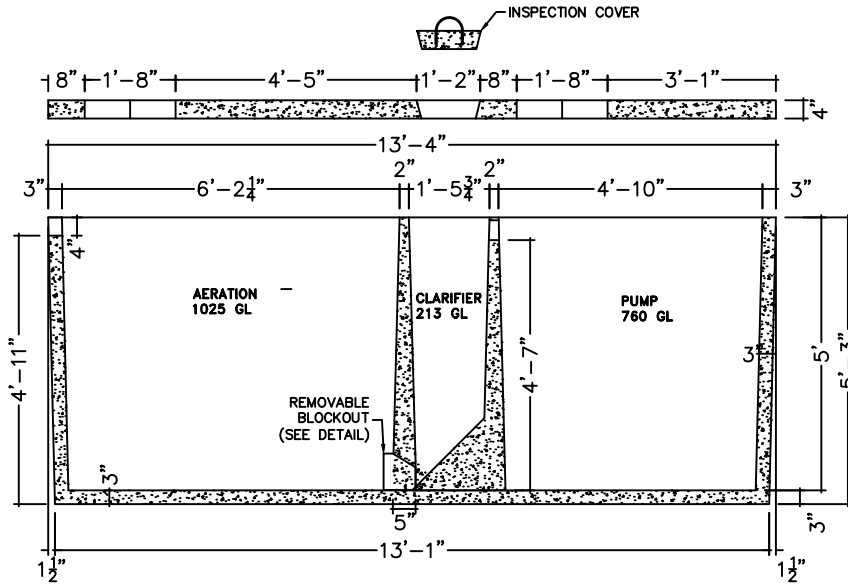
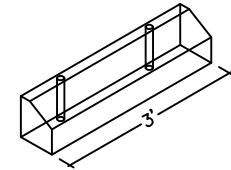


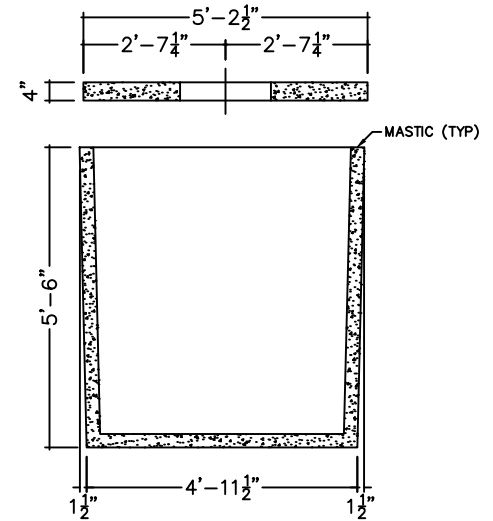
PLAN VIEW



REMOVABLE
BLOCKOUT DETAIL



ELEVATION VIEW



END VIEW



PHONE:
254.296.6115
ADDRESS:
901 N. HWY 77
HILLSBORO, TX 76645

CXT, INC. HILLSBORO

B800 COMBO TANK

DRAWN BY: MR DATE: 9/7/18 CHECKED BY: CHECKED DATE:

DWG. NO.	REV	DESCRIPTION	DATE
OF			
REV BY:	1	REMOVED 4"SDR35 COUPLING	3/20/19