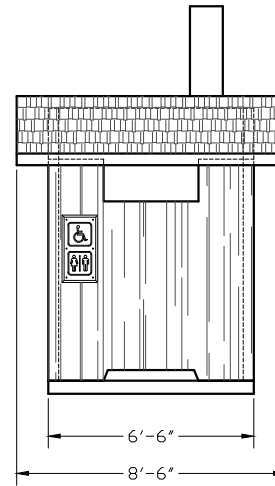
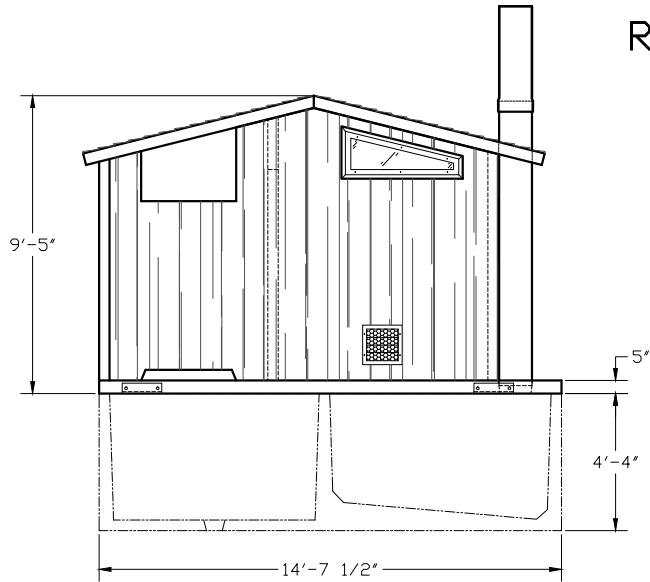


FRONT ELEVATION

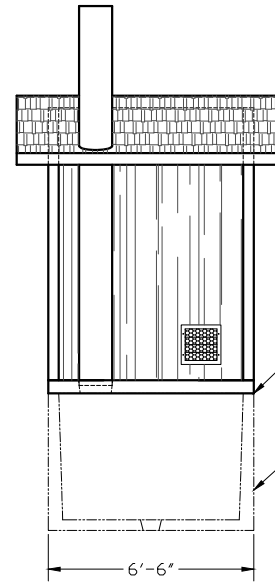


RIGHT SIDE ELEVATION



REAR ELEVATION

FOR  
REFERENCE  
ONLY



LEFT SIDE ELEVATION

EMBEDDED MATERIALS			
ITEM	QTY	ITEM	QTY
SI-2	2		
VENT PIPE 9'-0"	1		
ANCHOR NAIL 1/4x3/4	12		
VENT PIPE 3'-0"	1		

CU. FT. CONC. SQ. FT. W.W.F. APPROXIMATE WEIGHT



PROJECT TITLE  
GUNNISON RIGHT HAND  
CXT STANDARD BUILDING

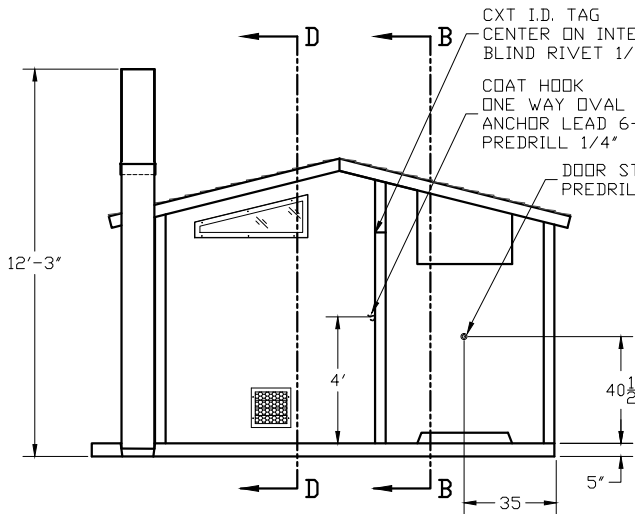
NOTICE  
The information contained herein is proprietary and the exclusive property of CXT Incorporated. The information may only be used by the original recipient for the purpose intended. Reproduction or distribution of this information is strictly prohibited without the prior written consent of CXT Incorporated. By allowing use of this information, CXT Incorporated grants no warranty, express or implied, including a warranty of merchantability or of fitness for a particular purpose.

CXT Incorporated			

REV.	DESCRIPTION	APPROVAL	DATE
SCALE	1/4"=1'-0"	DATE	07-19-16
DRAWN	FILE NO.	PD	G02
CHECKED	PLOT		48

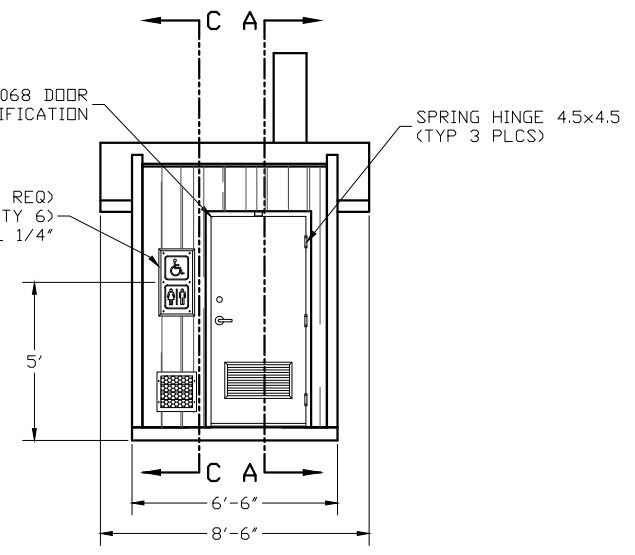
BUILDING ELEVATIONS

DWG NO. G-02	SHEET /	REV.
-----------------	------------	------

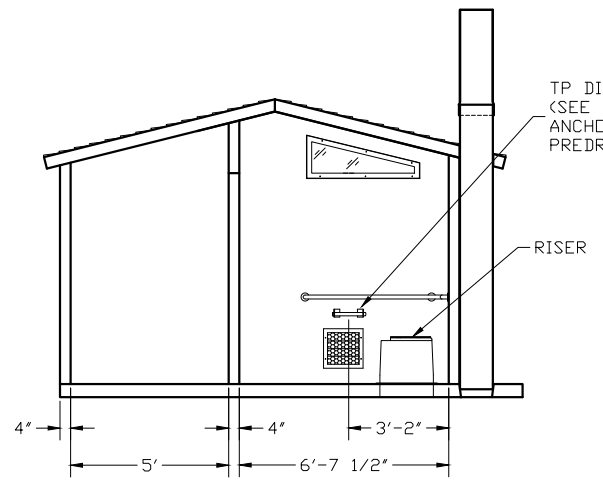


SECTION A - A

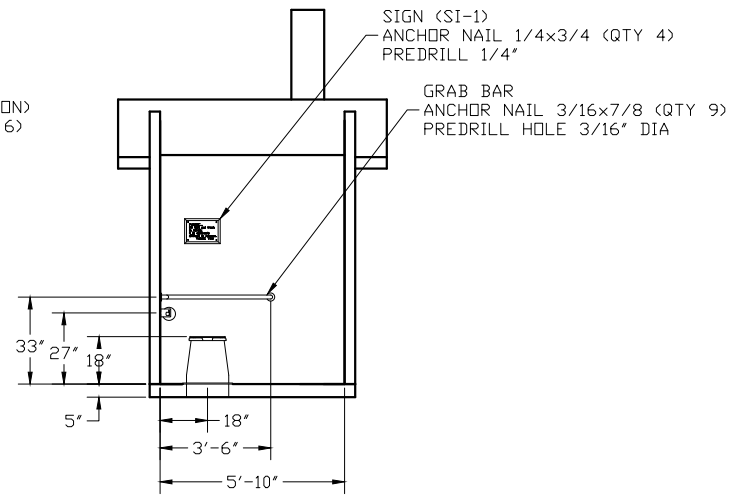
FOR REFERENCE ONLY



SECTION B - B



SECTION C - C



SECTION D - D

EMBEDDED MATERIALS			
ITEM	QTY	ITEM	QTY
RISER	1	ONE WAY OVAL 8x1 1/4	2
GRAB BAR	1	ANCHOR LEAD 6-8x1	2
TP DISPENSER	1	BLIND RIVET 1/8x1/4	2
TOILET PAPER ROLL	2-3	3068 DOOR ASSEMBLY	1
COAT HOOK	1	SPRING HINGE 4.5x4.5	3
DOOR STOP	1		
SI-1	1		
SI-2	1		
CXT I.D. TAG	1		
ANCHOR NAIL 1/4x1	6		
ANCHOR NAIL 1/4x3/4	10		
ANCHOR NAIL 3/16x7/8	9		

CU. FT. CONC.      SQ. FT. W.W.F.      APPROXIMATE WEIGHT



PROJECT TITLE  
GUNNISON RIGHT HAND  
CXT STANDARD BUILDING

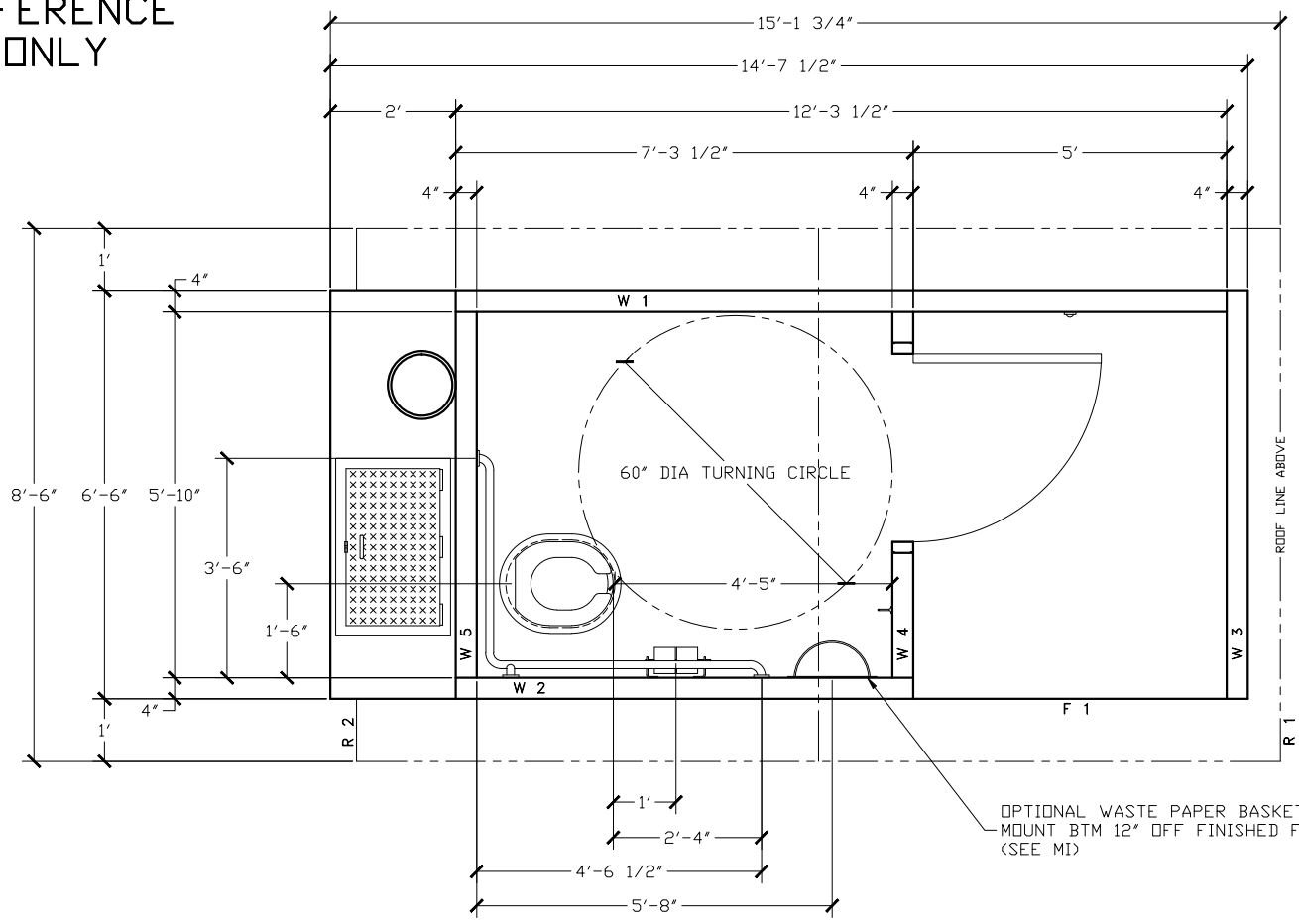
NOTICE  
The information contained herein is proprietary and the exclusive property of CXT Incorporated. The information may only be used by the original recipient for the purpose intended. Reproduction or distribution of this information is strictly prohibited without the prior written consent of CXT Incorporated. By allowing use of this information, CXT Incorporated grants no warranty, express or implied, including a warranty of merchantability or of fitness for a particular purpose.

REV.	DESCRIPTION	APPROVAL	DATE

SCALE	1/4"=1'-0"	DATE	07-19-16
DRAWN		FILE NO.	PD-G03
CHECKED		PLOT	48

INTERIOR ELEVATIONS		
DWG NO.	SHEET	REV.
G-03		

FOR  
REFERENCE  
ONLY



OPTIONAL WASTE PAPER BASKET  
MOUNT BTM 12\"/>



PROJECT TITLE  
**GUNNISON RIGHT HAND**  
CXT STANDARD BUILDING

NOTICE  
The information contained herein is proprietary and the exclusive property of CXT Incorporated. The information may only be used by the original recipient for the purpose intended. Reproduction or distribution of this information is strictly prohibited without the prior written consent of CXT Incorporated. By allowing use of this information, CXT Incorporated grants no warranty, express or implied, including a warranty of merchantability or of fitness for a particular purpose.

CXT Incorporated


REV.	DESCRIPTION	APPROVAL	DATE
SCALE	1/2"=1'-0"	DATE	07-19-16
DRAWN	FILE NO.	PD-G04	
CHECKED	PLOT	24	

FLOOR PLAN

DWG NO.	SHEET	REV.
G-04		